

LynxPro

Bluetooth® Data Logger Series



The LynxPro Series of data loggers is a Bluetooth-enabled solution capable of monitoring temperature and humidity for a variety of applications from -100°C to +200°C and 0% RH to 95% RH



**Bluetooth®
Connectivity**



**Visual
Alarms**



**Store Over
100,000 Readings**



**Be Up & Running
In Minutes**

Data Where **You** Need It

Connect the LynxPro to the **MadgeTech App** with the click of a button and gain instant access to readings, statistics and more

- Complete Control of Device Functions
- Graphical & Tabular Data Representation
- Easy Data Export & Sharing
- Customizable Notifications & Alarms

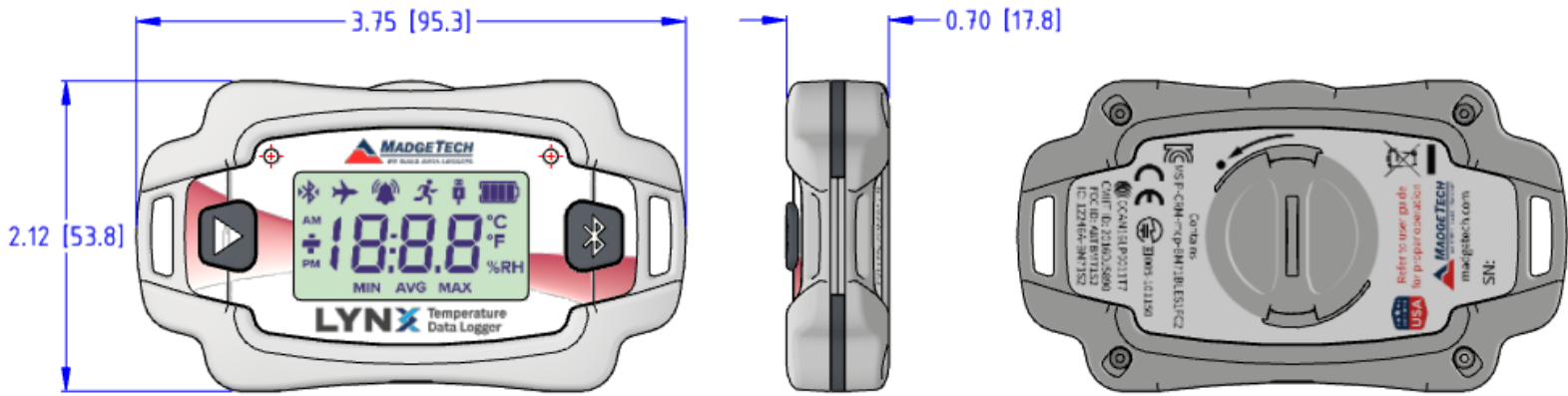
Compatible with **MadgeTech 4 Software**

- Advanced Statistics & Analysis
- Automatic MKT Calculations
- Data Annotations
- Multiple Graph Overlays



ISO 17025 Calibration Certified





ALL DIMENSIONS ARE IN INCHES [MILLIMETERS]

SPECIFICATIONS

General

Start Modes	Immediate start Delay start up to 18 months Pushbutton
Stop Modes	Pushbutton Timed (specific date and time)
Multiple Start/Stop Mode	Start and stop the device multiple times without having to download data or communicate with a PC
Real Time Recording	May be used with MadgeTech App to monitor and record data in real time
Memory	131,071 total readings 21,845 readings in multiple start/stop mode
Reading Rate	1 reading every second Up to 1 reading every 12 hours
Alarm	Programmable high and low limits; alarm is activated when measurement reaches or exceeds set limits
LCD Screen	1.7"x.975" (40x22mm)
Calibration	Digital calibration through software
Calibration Date	Automatically recorded within device
Battery Type	User replacable CR2450 coin cell battery
Battery Life	6-months typical at a 15 minute reading rate
Data Format	Date and time stamped °C, °F, or %RH
Time Accuracy	±4.1 minute/month at 25 °C (77 °F)
Computer Interface	USB (interface cable required)
Operating System Compatibility	
Software Compatibility	MT Link MT4
Operating Environment	-20 °C to +60 °C (-4 °F to +140 °F) 0 %RH to 95 %RH non-condensing
Dimensions	3.75 in x 2.12 in x 0.70 in (95 mm x 55 mm x 17 mm)
Weight	1.8 oz (51 g)
Material	Polycarbonate
Approvals	US (FCC), CA (IC), CE, South Korea (KCC), China (CMIIT), Taiwan (NCC), Japan (LCIE)

BATTERY WARNING

BATTERY MAY LEAK, FLAME OR EXPLODE IF DISASSEMBLED, SHORTED, CHARGED, CONNECTED TOGETHER, MIXED WITH USED OR OTHER BATTERIES, EXPOSED TO FIRE OR HIGH TEMPERATURE. DISCARD USED BATTERY

Specifications are subject to change without notice. Specific warranty remedy limitations apply. Call (603) 456-2011 or go to madgetech.com for details.

LynxPro

Measurement Range	-20 °C to +60 °C (-4 °F to +140 °F)
Temperature Resolution	0.1 °C (0.18 °F)
Calibrated Accuracy	±0.5 °C (±0.9 °F) from -5 °C to +55 °C (+23 °F to +131 °F)

LynxPro-RTD

Measurement Range	-100 °C to +200 °C (-148 °F to +392 °F)
Temperature Resolution	0.1 °C (0.18 °F)
Calibrated Accuracy	±0.5 °C (±0.9 °F) from -100 °C to 80 °C ±1.0 °C (±1.8 °F) from 80 °C to 200 °C

LynxPro-RH

Ambient Temperature	
Measurement Range	-20 °C to +60 °C (-4 °F to +140 °F)
Temperature Resolution	0.1 °C (0.18 °F)
Calibrated Accuracy	±0.5 °C (±0.9 °F) from -5 °C to +55 °C (+23 °F to +131 °F)
Ambient Humidity	
Measurement Range	0 %RH to +95 %RH
Humidity Resolution	0.1 %RH
Humidity Accuracy	±3 % RH over the range 25 % RH to 75 % RH, 20 °C to 40 °C, Hysteresis Error 1 % Typical 3 % Max